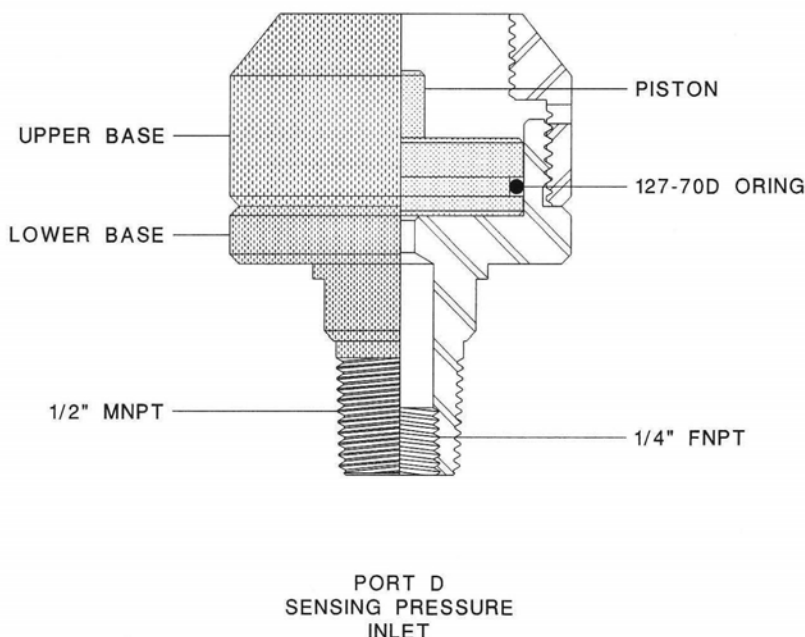




'LP' LOW PRESSURE SENSING ASSEMBLY



INSTALLATION

CONNECTION 1/4" NPTF 1/2" NPTM

MOUNTING Replaces the standard base & piston assembly on the "R-PILOT" pressure sensor

PORT D Sensing Pressure Inlet 3 -10 psi (.21-.69 BAR) Orifice .187" (4.75 mm)

OPERATION

The BWB "LP" assembly is utilized when the sensing pressure is below 10 psi by choosing the appropriate inlet, the sensor can detect pressure above (PSH) or below (PSL) the desired pressure setting. By loosening or tightening the adjustment bolt, the sensor may be set between 3 to 10 psi. It is normally installed on a process vessel, process flow line, or in a control panel. The sensor receives sensing pressure (PORT D) from the component which it is monitoring and supply pressure from the safety system which it will shutdown.

During normal operation, the sensing pressure (PORT D) should remain either above or below the desired setting. When the sensing pressure (PORT D) rises above or falls below the set pressure, the sensor will block the supply pressure and bleed the outlet through the exhaust; thus closing the actuator or system.

When the sensing pressure (PORT D) returns to normal operating limits, the sensor will automatically reset.

FEATURES

Specify VITON o-rings for pneumatic service or BUNA-N o-rings for hydraulic service

All stainless steel construction

WEIGHT 1.50 pounds