



BWB Controls
Telephone (985)-876-4117
info@bwbcontrols.com
ISO 9001 Certified



“HC10”
HYDRAULIC CONTROLLER
Pneumatic / Hydraulic Over Hydraulic
Block Before Bleed

OPERATION

The HC10 is a 3 way, normally closed, block before bleed, pilot operated, automatic hydraulic controller. It is normally installed in a control panel. It receives instrument pressure from a safety system component such as a master relay and hydraulic supply pressure from a pump.

During normal operation, instrument pressure holds the controller in the open position. The supply pressure passes through the outlet and the hydraulic system will maintain the required working pressure. *Instrument Pressure is proportionate to Supply Pressure*

When the master relay is actuated, it will bleed instrument pressure from the controller and the spring will push the controller into the closed position. The supply pressure becomes blocked, the outlet is exhausted and returned to the reservoir; thus closing the SCSSV or actuator.

Should hydraulic working pressure be required to open the SCSSV or system before instrument pressure (Port P) is returned, the manual override may be used. The override handle is manually screwed in; this allows supply pressure (Port A) to pass through the outlet (Port C) and the hydraulic system to maintain its working pressure. When instrument pressure (Port P) is returned, the manual override must be manually released for the controller to resume normal operating conditions.

ORDERING INFORMATION

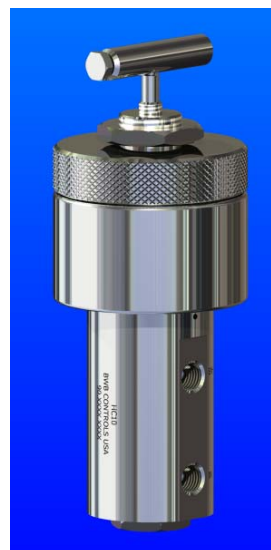
HC10 (No MANUAL OVER-RIDE)



WEIGHTS

HC10 (No MANUAL OVER-RIDE) – 7.75 POUNDS
HCT10 (WITH MANUAL OVER-RIDE) – 8.25 POUNDS

HCT10 (WITH MANUAL OVER-RIDE)



PANEL MOUNT FOR MANUAL OVER-RIDE

1" Diameter Hole (25.4 MM)
Maximum Panel Thickness, 0.25 Inches (6 MM)
Panel Nut Thickness; 0.25 inches (6 MM)



INSTALLATION

PORT 'A'

Supply Pressure Inlet
 1/4" FNPT Hydraulic
 500 – 10,000 PSI
 (34.47 – 689.48 bars)

PORT 'B'

Exhaust Port
 (VENT) - 1/4" FNPT

PORT 'C'

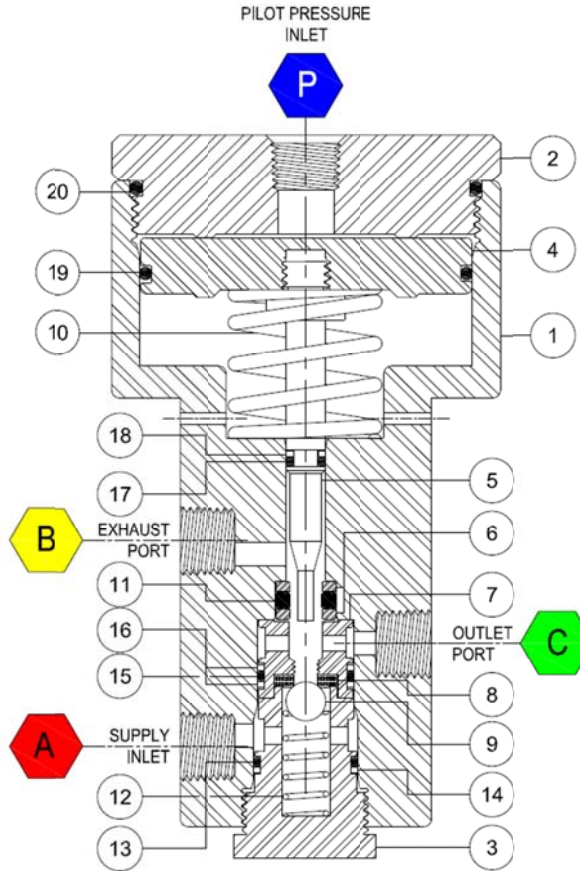
Supply Pressure Outlet
 1/4" FNPT

PORT 'P'

Instrument Pressure Inlet
 1/4" FNPT Pneumatic/Hydraulic
 (PILOT) - 30 - 250 PSI
 (2.07 – 17.23 bars)

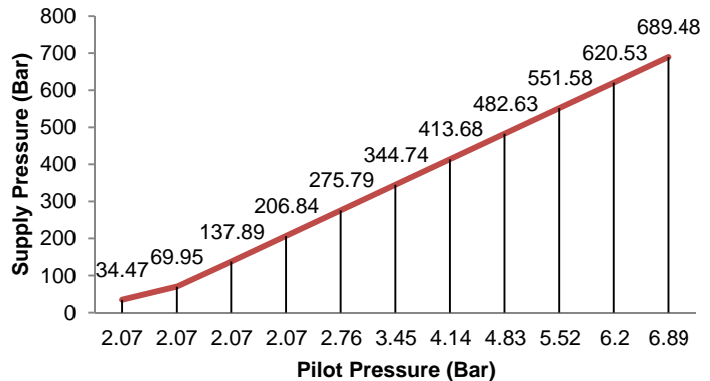
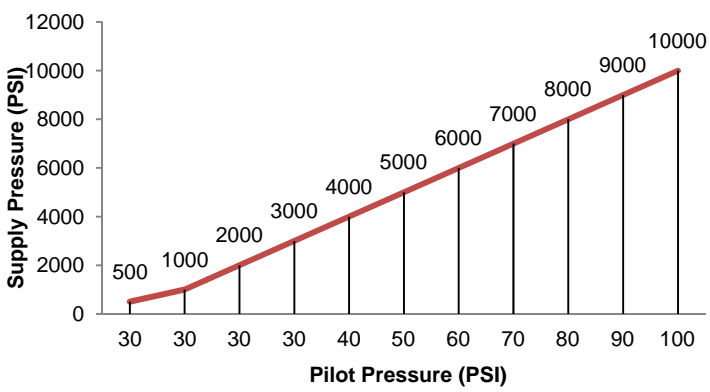
FEATURES

All Viton O-Rings
 316 Stainless Steel Materials
 10000 psi (689.48 bar) MAWP
 1/4" FNPT Control Ports



ITEM	DESCRIPTION
1	BODY
2	CAP
3	LOWER CAP
4	PISTON
5	PLUNGER
6	BACKUP RING QTY. 2
7	RETAINER
8	SUPPLY SEAL
9	BALL
10	SPRING
11	EXHAUST SEAL
12	SPRING
13	O-RING
14	BACKUP RING
15	ORING
16	BACKUP RING QTY. 2
17	ORING
18	BACKUP RING
19	ORING
20	ORING

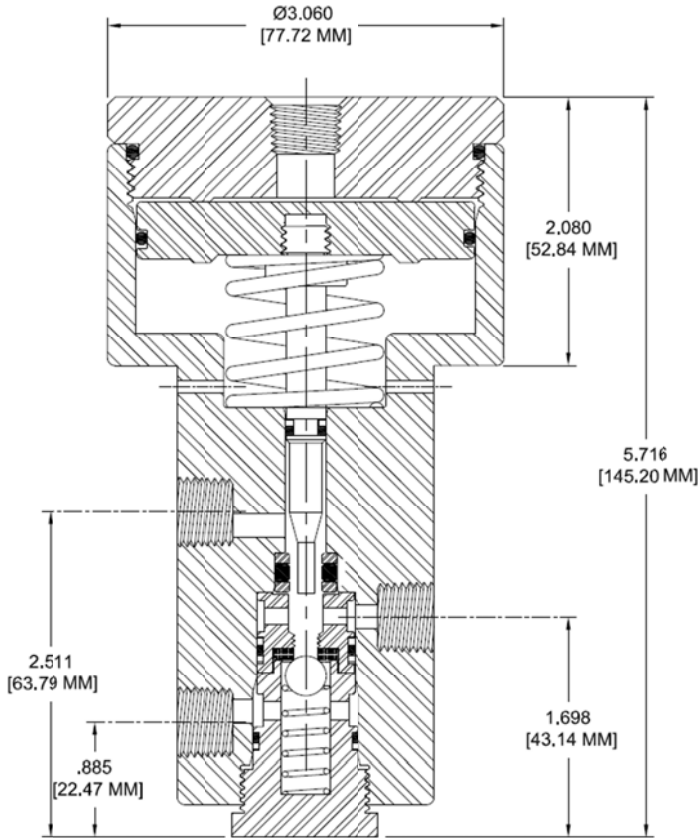
REPAIR KIT(S):
 CONTAINS ALL SEALS





DIMENSIONS

**HC10
(No Manual Over-Ride)**



**HCT10
(With Manual Over-Ride)**

