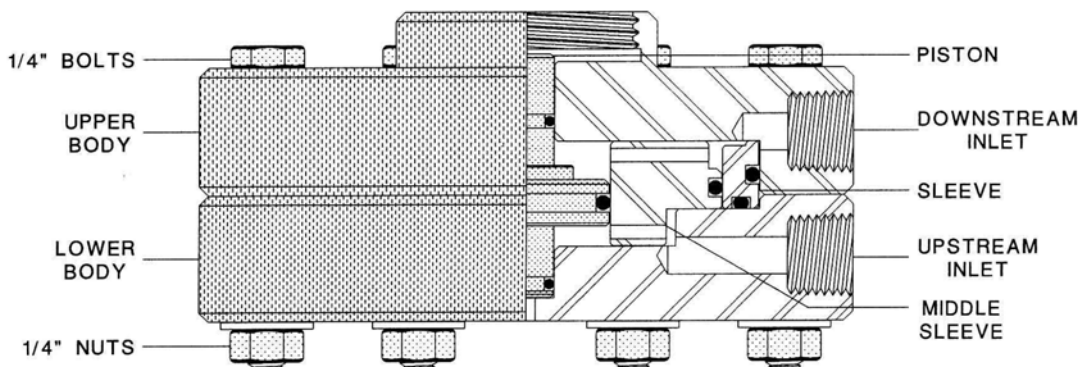




'DIF' DIFFERENTIAL SENSING ASSEMBLY



INSTALLATION

CONNECTION 1/4" FNPT

MOUNTING Replaces the standard base & piston assembly on the "R-PILOT" Pressure Sensor

Upstream Sensing Pressure Inlet	25-3000 PSI	(1.7 to 207 bar)
Downstream Sensing Pressure Inlet	25-3000 PSI	(1.7 to 207 bar)
Maximum Differential Diaphragm Pressure	3000 PSI	(207 bar)
Differential Adjustment Range	10 – 500 PSI	(0.7 to 34.5 bar)

OPERATION

The BWB "DIF" Assembly is utilized when sensing differential pressure is required. By choosing the appropriate inlet, the sensor can detect pressure above (PSH) or below (PSL) the desired differential pressure setting. By selecting the appropriate spring (see pressure chart), and loosening or tightening the adjustment bolt, the differential pressure may be set between 10 and 550 PSI. It is normally installed on a process vessel, process flow line, or in a control panel. The sensor receives differential sensing pressures (Upstream & Downstream) from the component which it is monitoring.

During normal operation, the differential pressures should remain within the desired differential setting. When the differential pressures exceed the setting, the sensor will block the supply pressure and bleed the outlet through the exhaust; thus closing the actuator or system.

When the differential pressures return to normal operating limits, the sensor will automatically reset.

PRESSURE CHART

Spring Color:	Plain	Differential Range:	10 - 35 PSI	(0.7 to 2.4 bar)
	Red		35 - 125 PSI	(2.4 to 8.6 bar)
	White		125 - 300 PSI	(8.6 to 20.7 bar)
	Blue		300 - 500 PSI	(20.7 to 34.5 bar)

FEATURES

Buna-N O-rings available upon request

All Stainless Steel construction

Available in exotic metals for special service applications

WEIGHT 4.75 Pounds